

J2040 Double Balanced Mixer

1.0 to 2.0 GHz

Technical Characteristics



Product Features
Multi-octave bandwidth
Broad frequency - input and output
Wide DC to IF frequency response
Low conversion loss
High port-to-port isolation

Maximum Ratings	
Storage Temperature	-65 to +150°C
Operating Temperature Peak	-55 to +125°C
Peak Input Power For Any Single Port	+23dBm Peak
Peak Input Power For Any Port	+26dBm peak
Peak Input Current @ +25° C	100mA

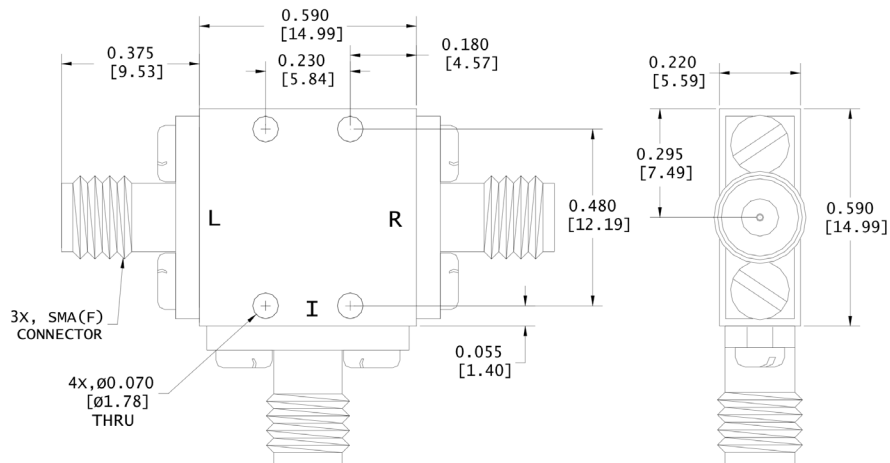
Parameters	Freq. (GHz)	Minimum	Typical	Maximum	Units	Conditions
Conversion Loss						
RF Input	2.0 to 4.0		4.5	7.0	dB	IF = 100 MHz
LO Input	2.0 to 4.0					
IF Output	DC to 1.0					
Conversion Flatness						
Isolation						
LO-RF	2.0 to 4.0		40.0		dB	
LO-IF	2.0 to 4.0		35.0		dB	
RF-IF	2.0 to 4.0		40.0		dB	
VSWR						
1dB Comp.Point						
J2040M			4.0		dBm	
LO Drive						
J2040M		7.0	10.0	13.0	dBm	
Input TOIP						
J2040M			14.0		dBm	

NOTES:

1. Measured in a 50 ohm system with nominal LO drive and downconverter application only, unless otherwise specified. The I-port frequency range extends to DC for phase detection, pulse modulation, or attenuator applications. I-port VSWR degrades from a 50 Ω system at LO-IF frequencies.

2. Typical values are measured at +25°C and are not guaranteed.

Package outline Z



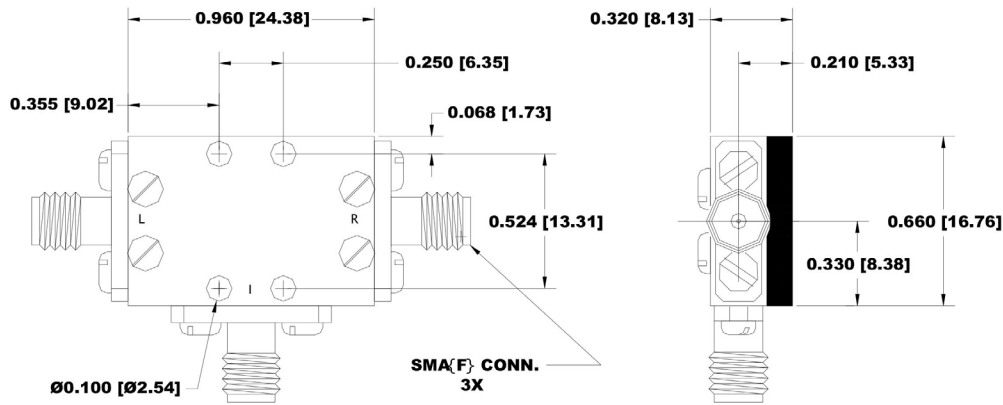
DISCLAIMER: Subject to change without notice.

J2040 Double Balanced Mixer

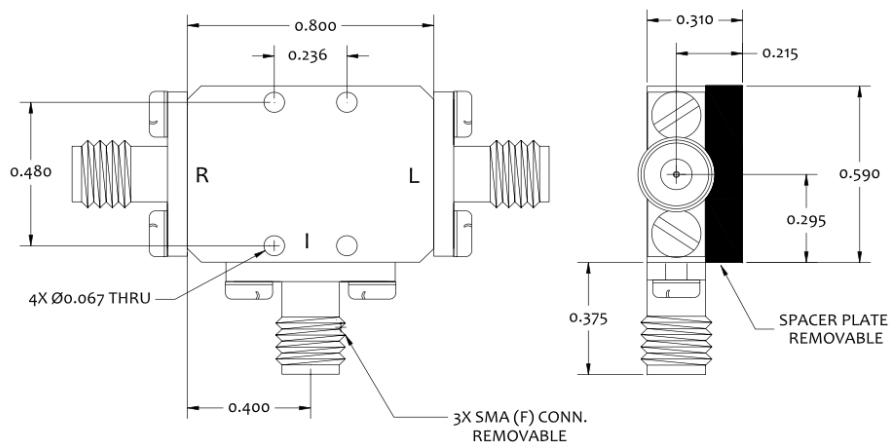
1.0 to 2.0

Outline Drawings 1 of 2

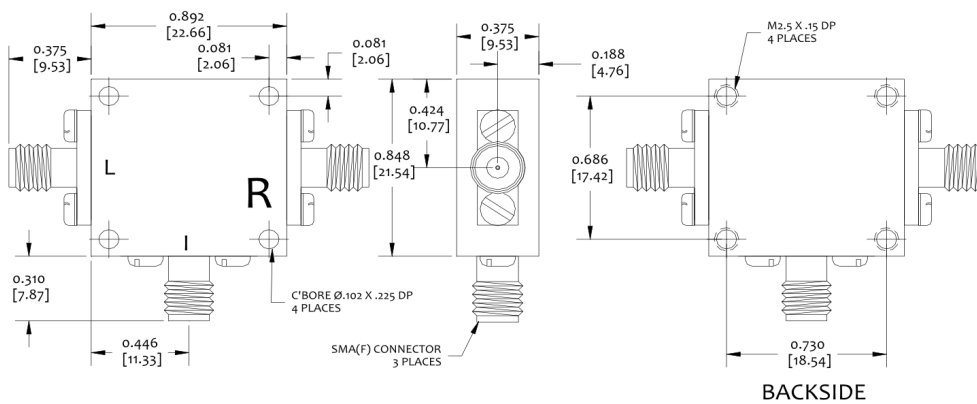
Coaxial Package outline 'B'



Coaxial Package outline 'L'



Coaxial Package outline 'C'

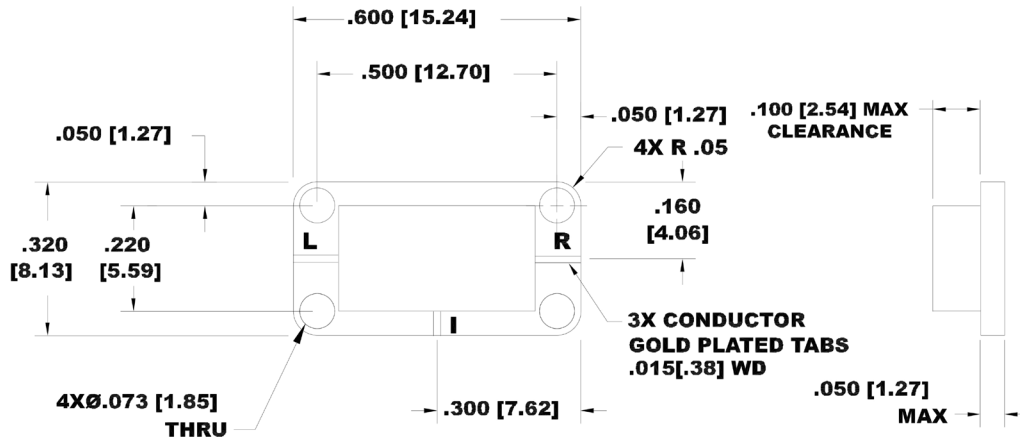


J2040 Double Balanced Mixer

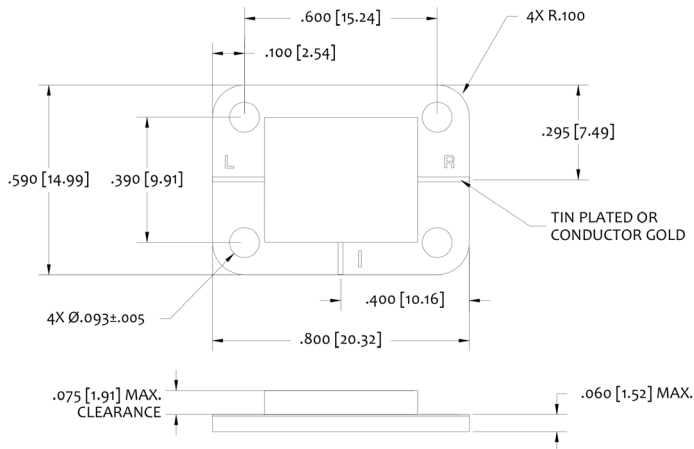
1.0 to 2.0

Outline Drawings 2 of 2

Drop in Package outline 'E1'



Drop in Package outline 'F1'



Drop in Package outline 'ZX'

